



# VersiJack<sup>®</sup> S

Paver & Bearer Support



035 - 005  
100% recycled  
materials



ecospecifier  
2010/11

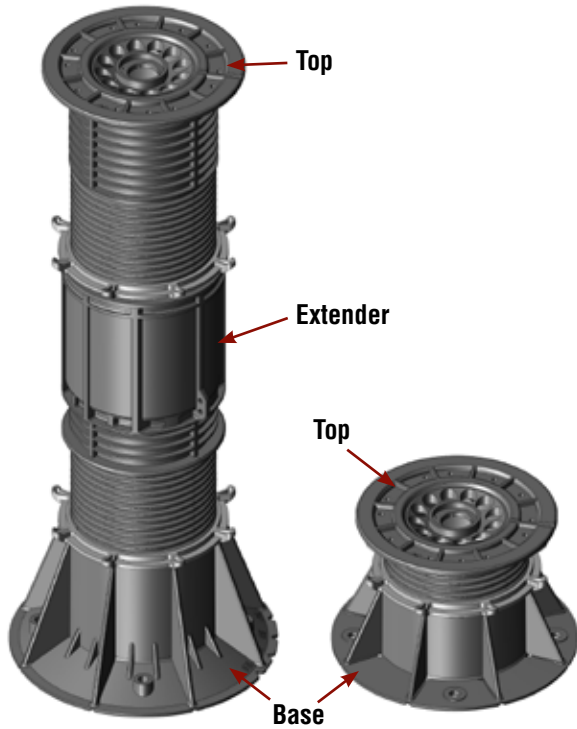
as seen on [www.ecospecifier.org](http://www.ecospecifier.org)



Solutions for Sustainable Urban Development

# VersiJack® S

VersiJack® S eliminates the need for bedding sand and/or use of brick or metal piers for installation of raised pavers or decking. It eliminates efflorescence and prevents algae growth on pavers, facilitates rapid surface drainage and easy accessibility to waterproofing membranes and concealed services. It also provides a ventilation break that enhances heat and sound insulation.

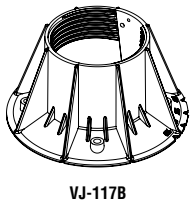


VersiJack® S is a new generation height and slope-adjustable pedestal that offers users a wide range of component parts to cater to different height requirements, including three pedestal tops (43, 84 and 164mm) and two pedestal bases (74 and 117mm).

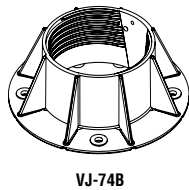
The basic pedestal height can be increased to above 1000mm using only three Extenders, thus providing significant cost savings for pedestal heights above 500mm.

VersiJack® S may be used with a combination of one or more accessories, including top and base correctors that allow slope compensation up to 5% each. The base slope corrector enables the pedestal to remain upright on a sloping surface, minimising possibility of toppling at extended heights.

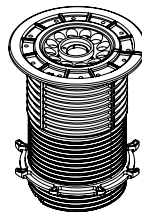
Drainage holes and a slope design at the base flange of the two pedestal bases prevent water pooling and breeding of pests.



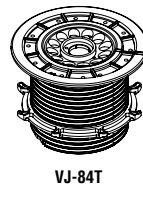
VJ-117B



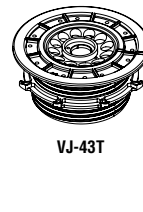
VJ-74B



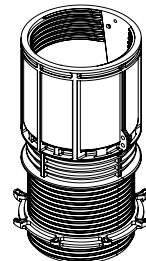
VJ-164T



VJ-84T



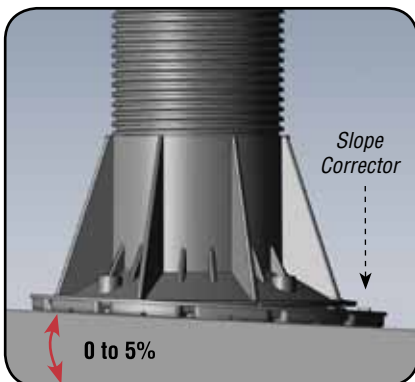
VJ-43T



VJ-245E

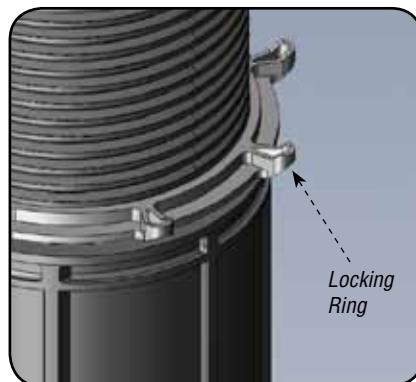
## Bottom Slope Corrector

VersiJack® S has optional slope correctors at the top or bottom of the pedestal. The Bottom Slope Corrector allows the pedestal to remain upright.



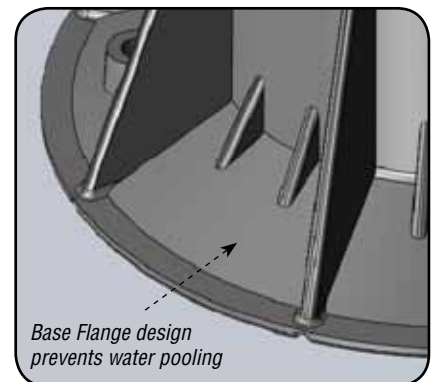
## Locking Ring

Locking rings ensure that the individual pedestals are secured at desired heights. They are easily removed when not required.



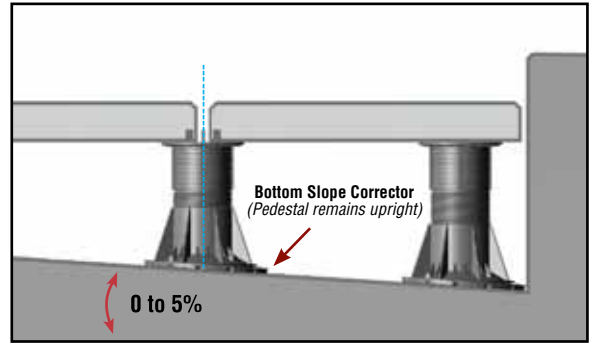
## Non-Water Retention

The base design prevents water pooling and breeding of pests at the base flange especially when pedestals are installed on an incline.



## Advantages

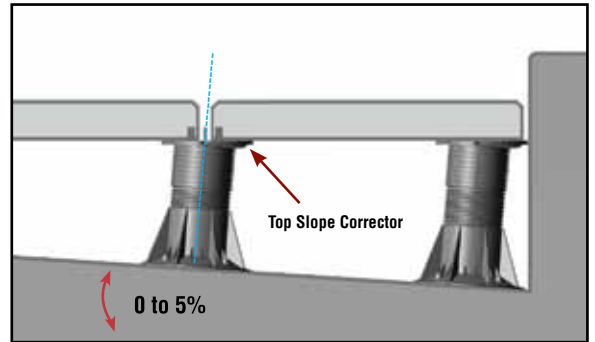
- Progressive height increase
- Easy to install, cost effective and lightweight
- Optional top and/or bottom slope correction
- Base design does not retain water
- Made from 100% recycled material
- Supports Green Building certification



VersiJack® S with Bottom Slope Corrector

## Applicable areas

- Pool surrounds
- Roof terraces
- Balconies and patios
- Pedestrian walkways
- Plaza decks
- Reflective pools



VersiJack® S with Top Slope Corrector

## Accessories



Bottom Slope Corrector



Top Slope Corrector



Bearer Holder



Spacer Tabs



Asy-Syakirin Mosque  
Malaysia



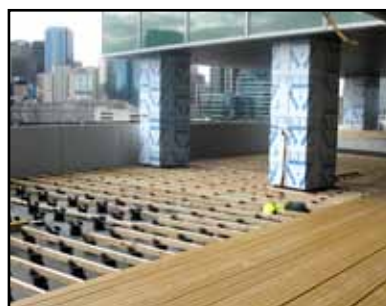
Merrill Lynch HarbourFront  
Singapore



Sentosa Boardwalk  
Singapore



Science Park 2  
Hong Kong



Melbourne Convention Centre  
Australia



Nanyang Technological University  
Singapore



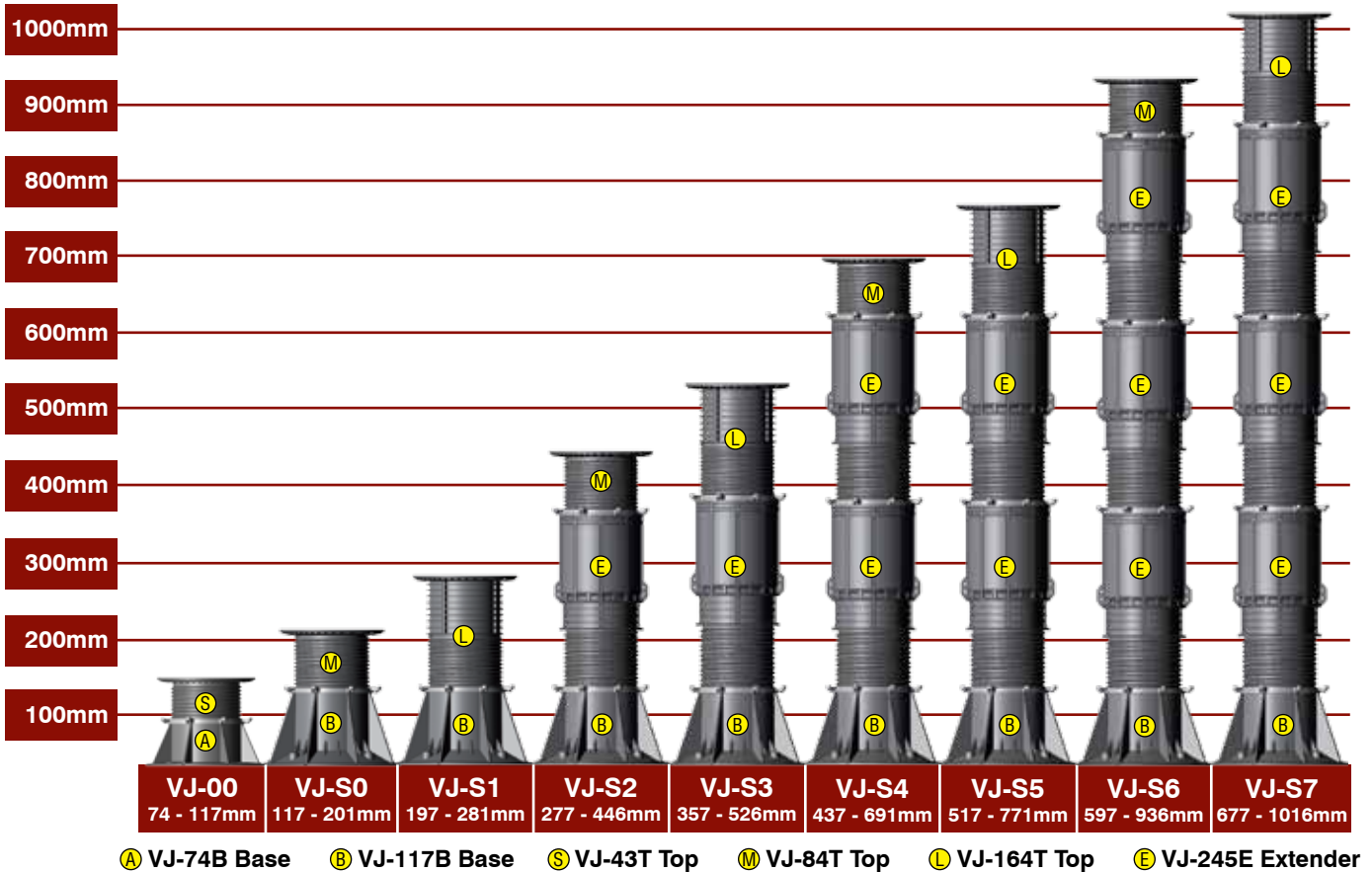
## Specifications

<b>Material</b>	Polypropylene		
<b>Colour</b>	Black		
<b>Height</b>			
<b>Pedestal (assembled)</b>	74mm to 1016mm		
<b>Base</b>	VJ-117B VJ-74B	Nominal 117mm 74mm	Overall 108mm 65mm
<b>Top</b>	VJ-164T VJ-84T VJ-43T	164mm 84mm 43mm	192mm 112mm 71mm
<b>Extender</b>	VJ-245E	245mm	265mm

<b>Ultimate Compressive Strength<sup>1</sup></b>	15kN
<b>Design Compressive Strength<sup>1</sup></b>	11kN
<b>Slope correction</b>	0% to 5% @ 1% increment
<b>Spacer Tab</b>	
Height	25mm
Thickness	2 / 3 / 4 / 6 / 10mm (gap between pavers)
<b>Bearer Holder</b>	50mm to 85mm (bearer width)
<b>Biological / Chemical Resistance</b>	Unaffected by moulds and algae and good resistance to alkali and bitumen

<sup>1</sup> varies with different heights

## VersiJack® S Series



**Note:** The information provided in this brochure is based on current knowledge and experience and does not infer any legally binding assurance or warranty, expressed or implied. Intending purchasers should verify whether any changes to specifications or applications or otherwise have been made since the issue of this literature. Environmental-friendly recycled materials are used wherever possible and physical product properties including colour may differ due to source of raw materials used. Colour may also fade due to UV exposure. All components of the product are designed for specific application, design calculations and any variation and/or deviation therefrom shall be the responsibility of the Specifier and/or User.

Distributed by: